

# SIRUBA®

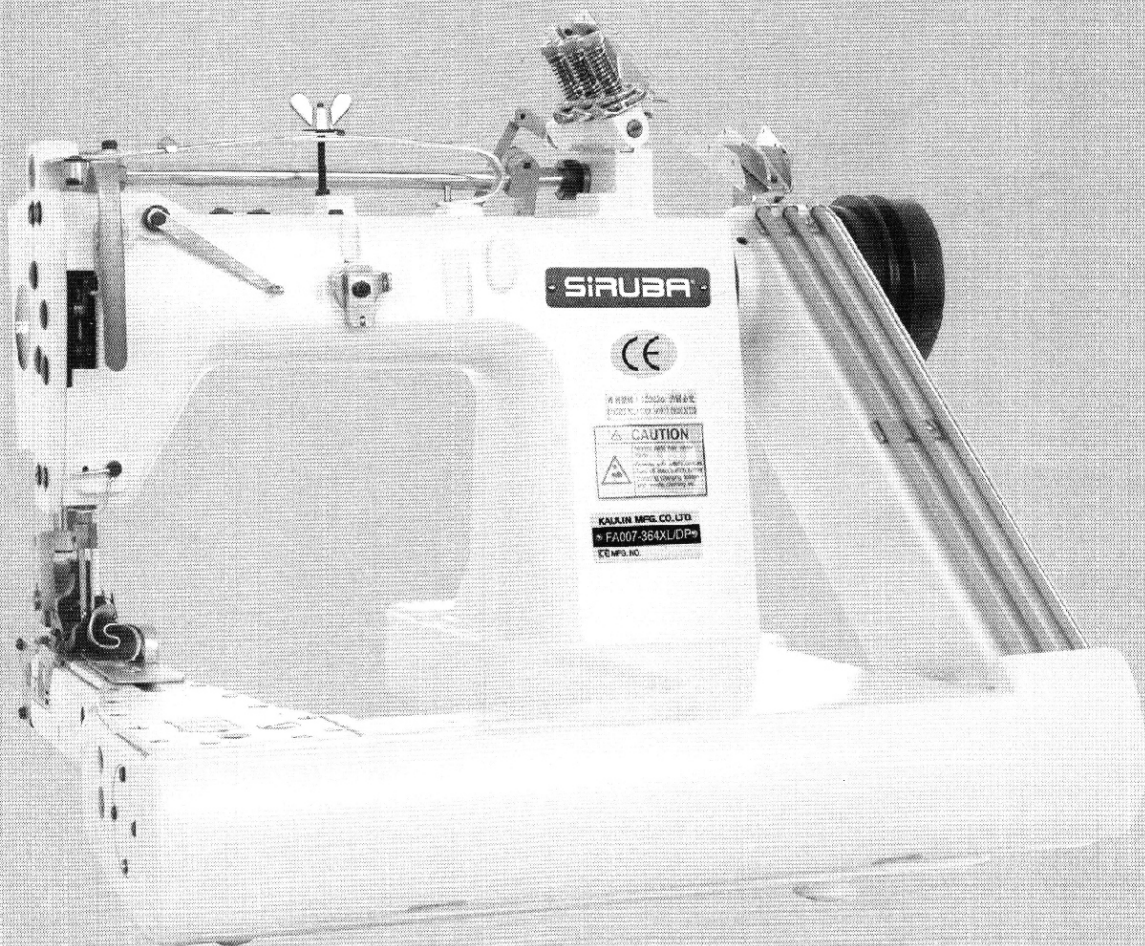
銀箭牌工業用縫紉機

INDUSTRIAL SEWING MACHINE

# FA007

## 使用說明與零件圖

## INSTRUCTION AND PARTS LIST



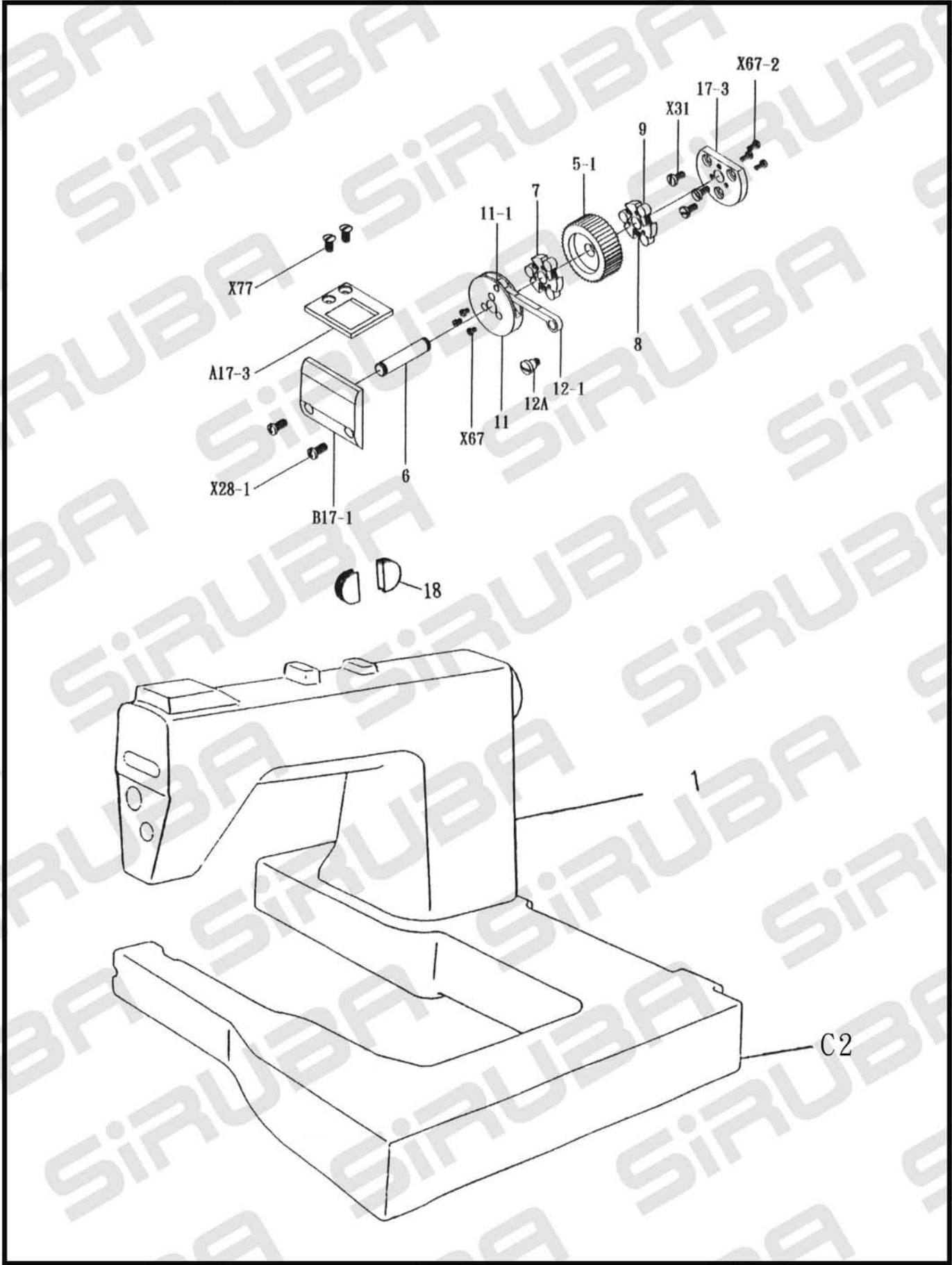
CE



高林股份有限公司  
KAULIN MFG. CO., LTD.

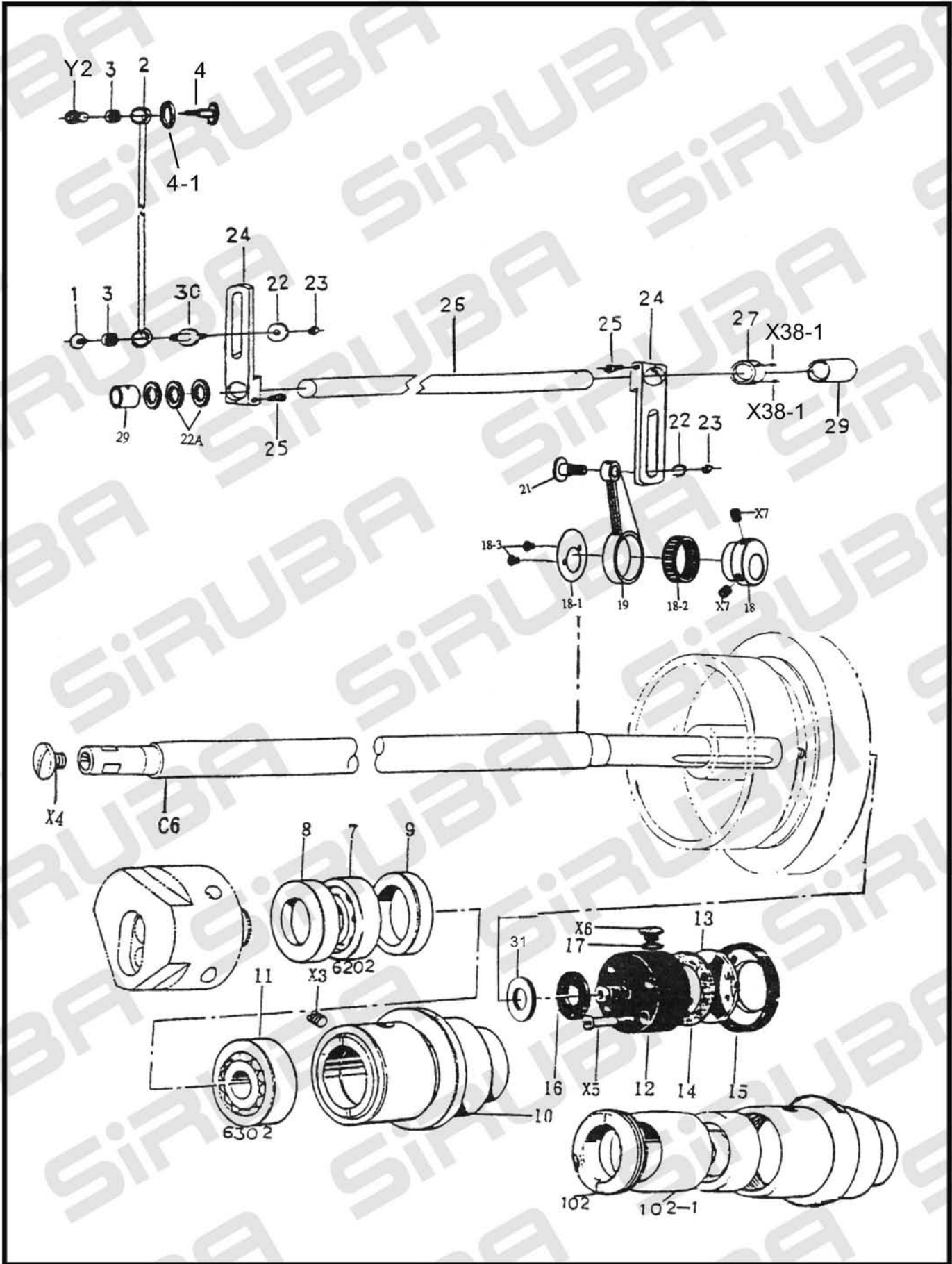
# CONTENTS目錄

CO-MACHINE BODY .....	1
機體下拉布輪	
C1-UPPER SHAFT MACHANISM .....	3
上軸結構	
C2-NEEDLE BAR MECHANISM-FEED MECHANISM .....	5
針柱與送布傳動結構	
C3-PULLY MECHANISM .....	7
皮帶傳動結構	
C4-PRESSER BAR MECHANISM .....	9
壓腳柱結構	
C5-LOOPER MECHANISM .....	11
彎針傳動結構	
C6-UPPER THREADING MECHANISM.....	13
上導線張力結構	
C7-LOWER THREADING MECHANISM.....	15
下導線張力結構	
C8-LOWER SHAFT MECHANISM-GAUGE PARTS(SM1/4).....	17
下軸結構與針位組	
C8-LOWER SHAFT MECHANISM-GAUGE PARTS(SM3/16).....	19
下軸結構與針位組	
C10-GAUGE PARTS (DP) DP.....	21
針位組	
C11-PULLER DEVICE MECHANISM DP .....	23
上拉布輪結構	
C12-ACCESSORIES.....	25
配件	

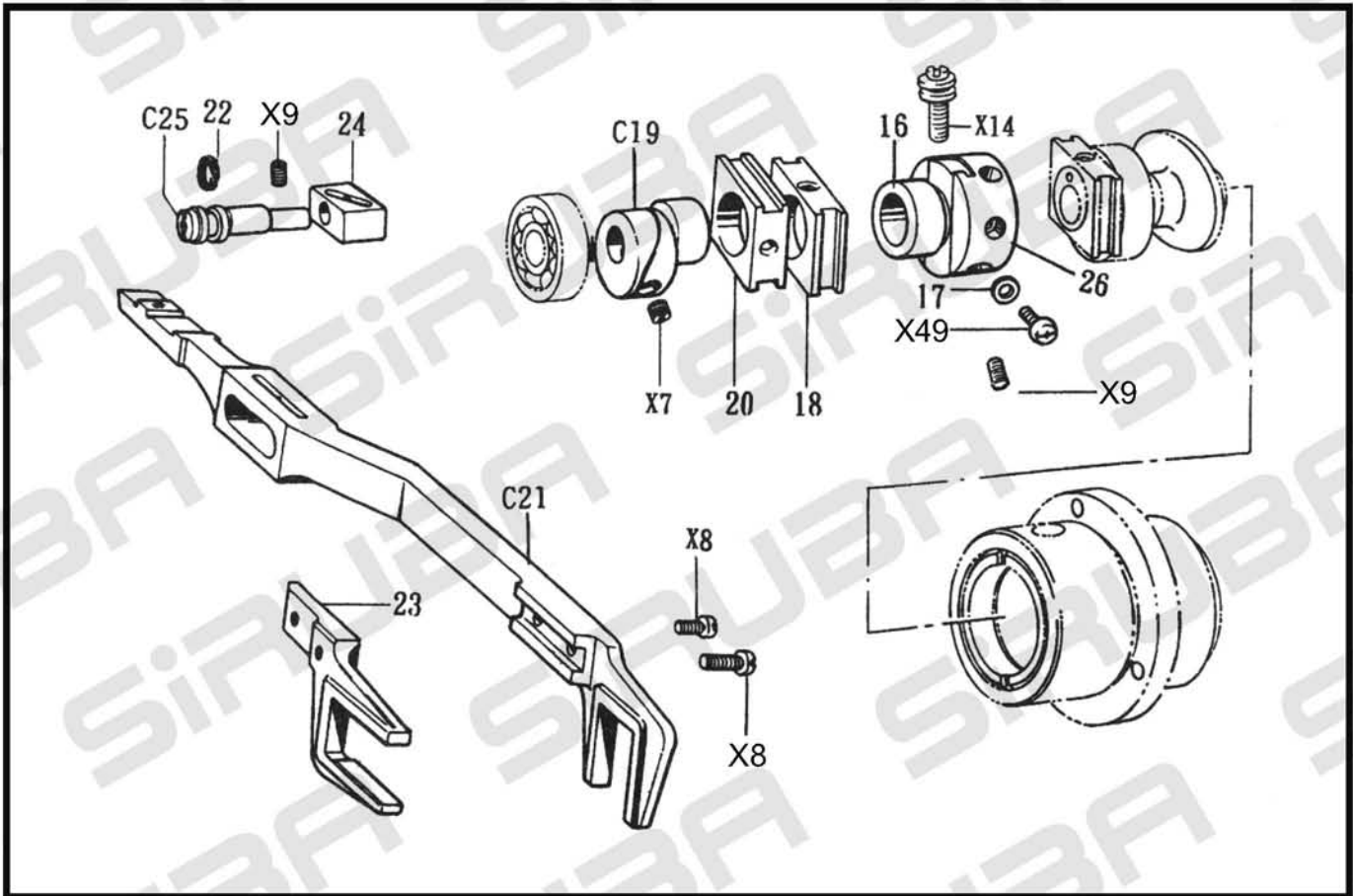
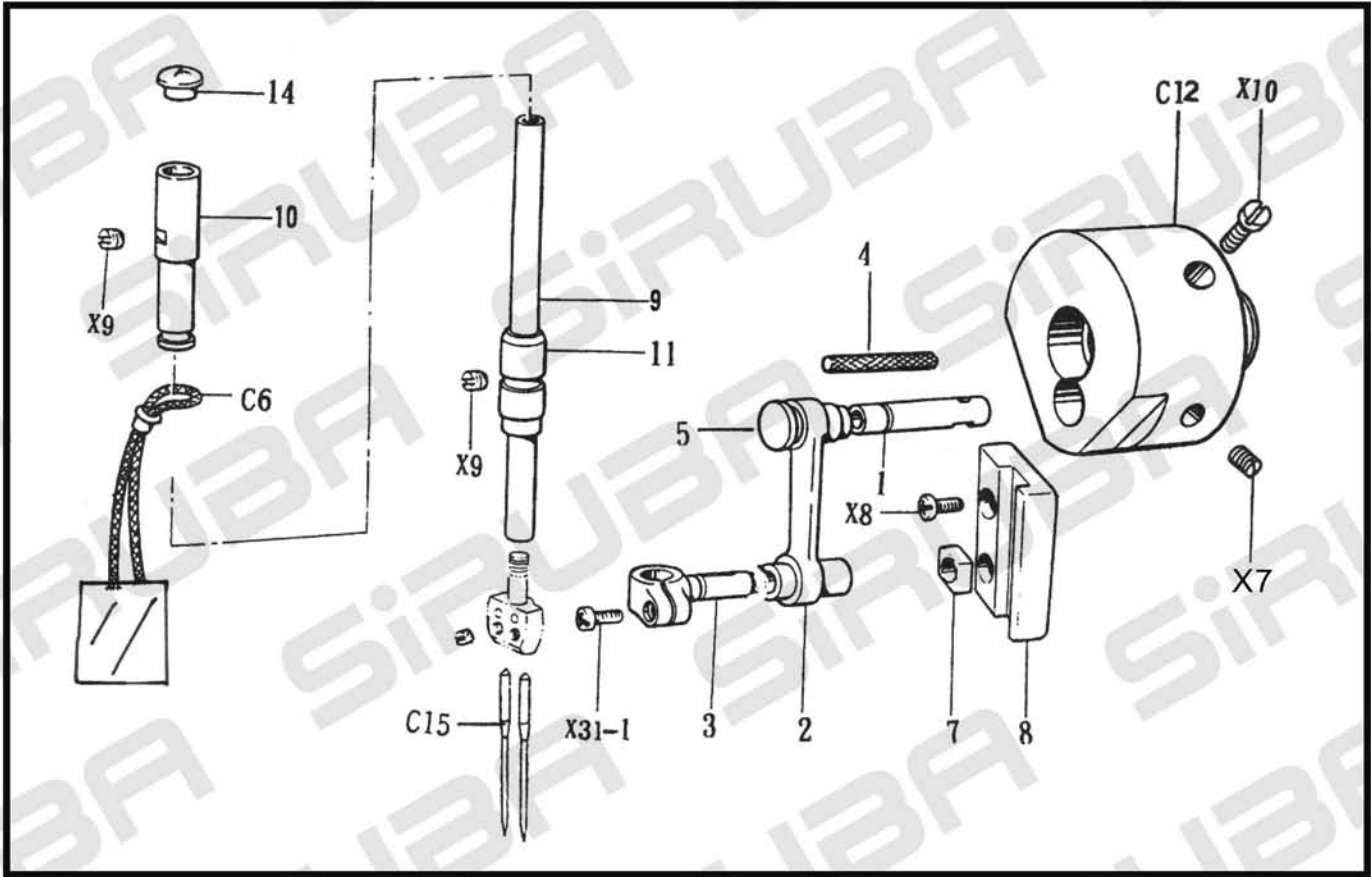






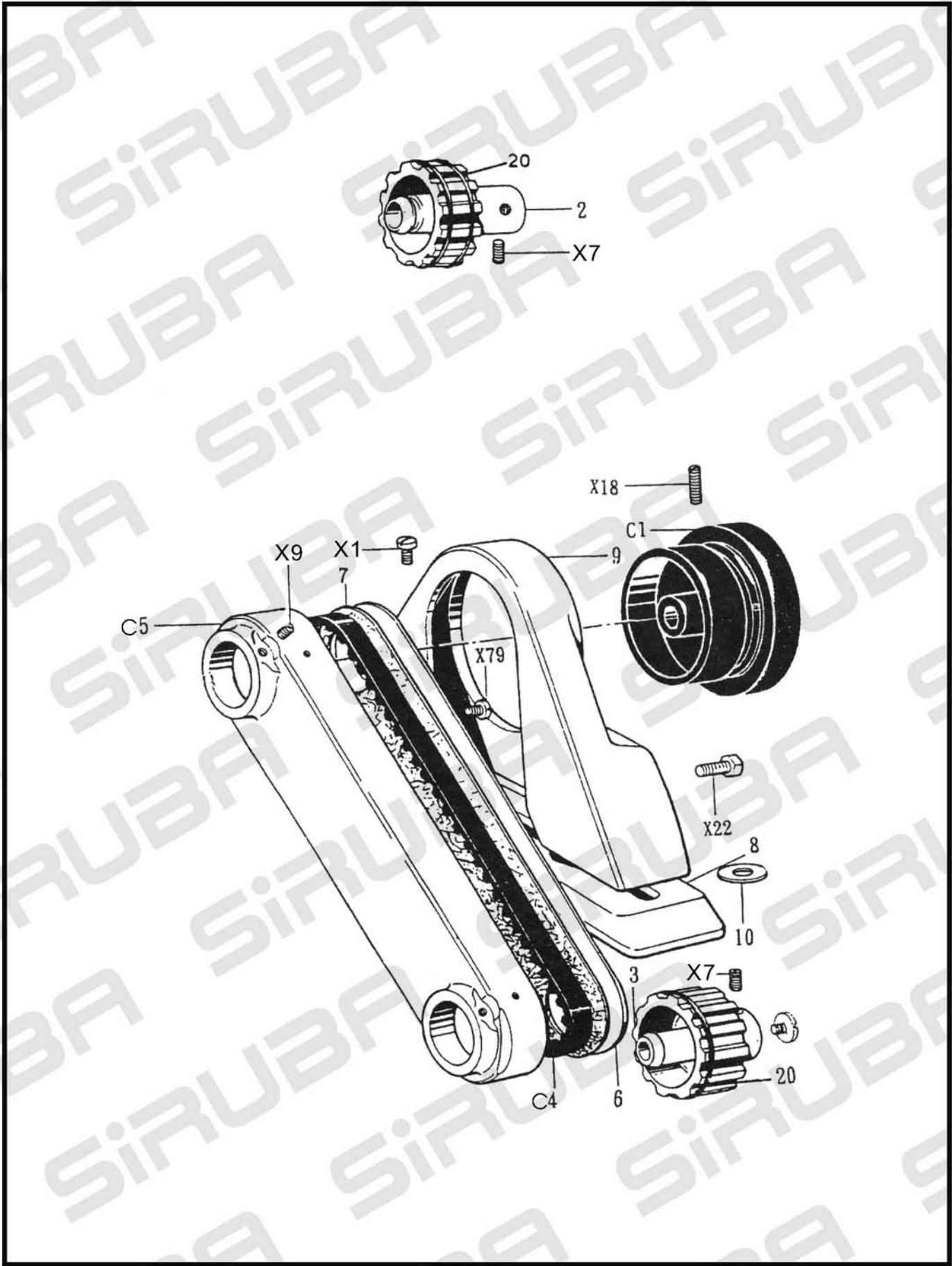




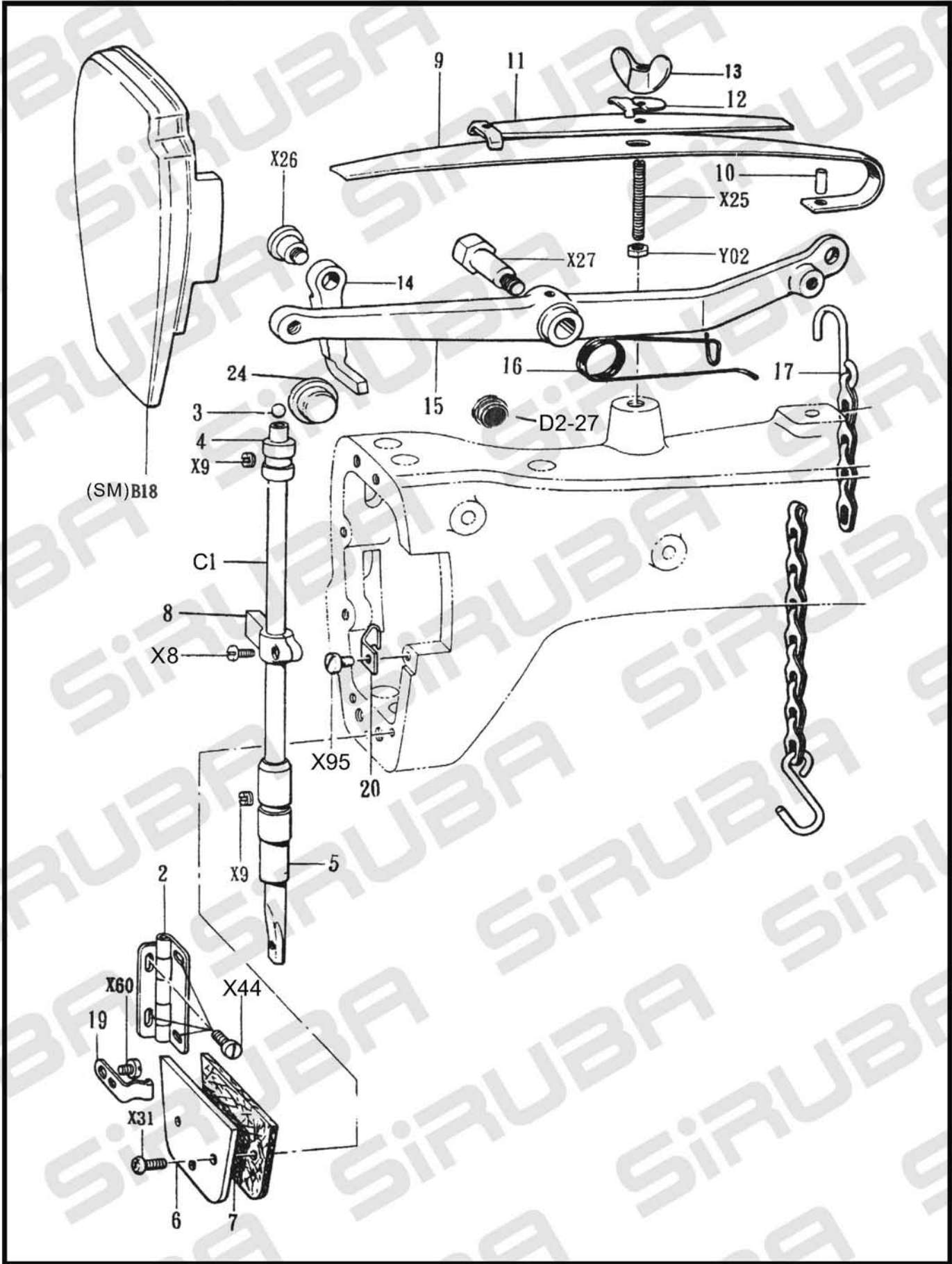






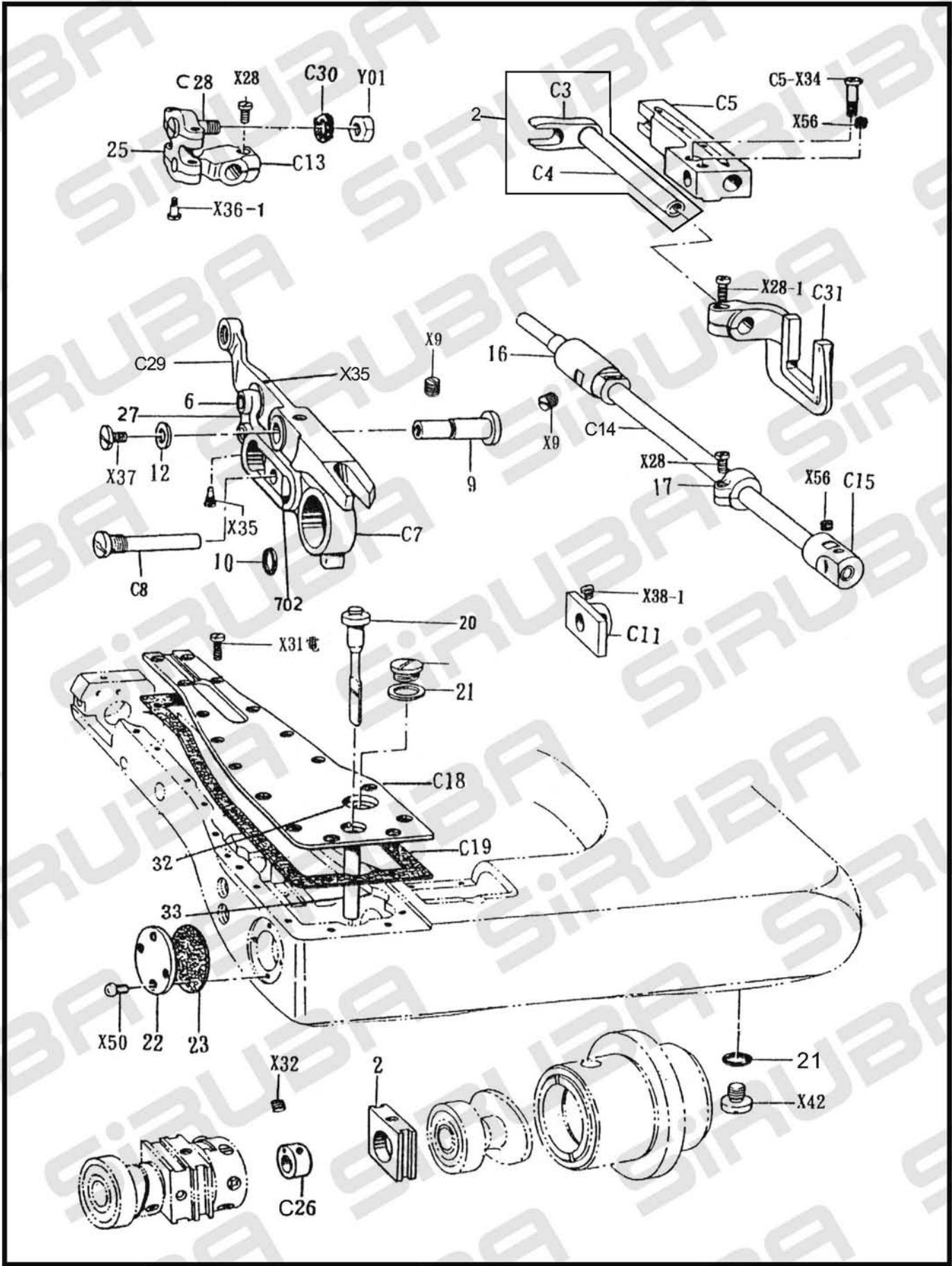






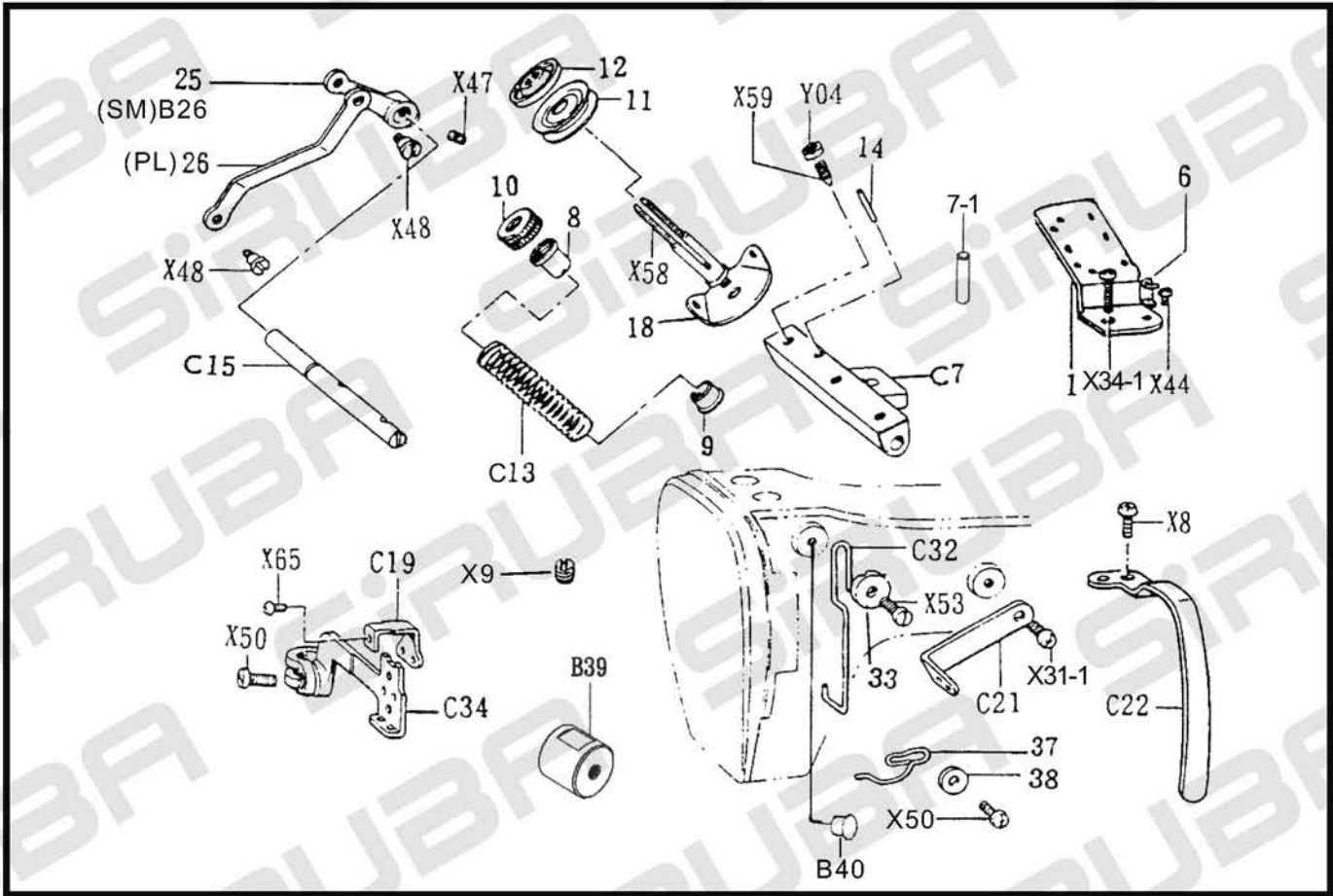






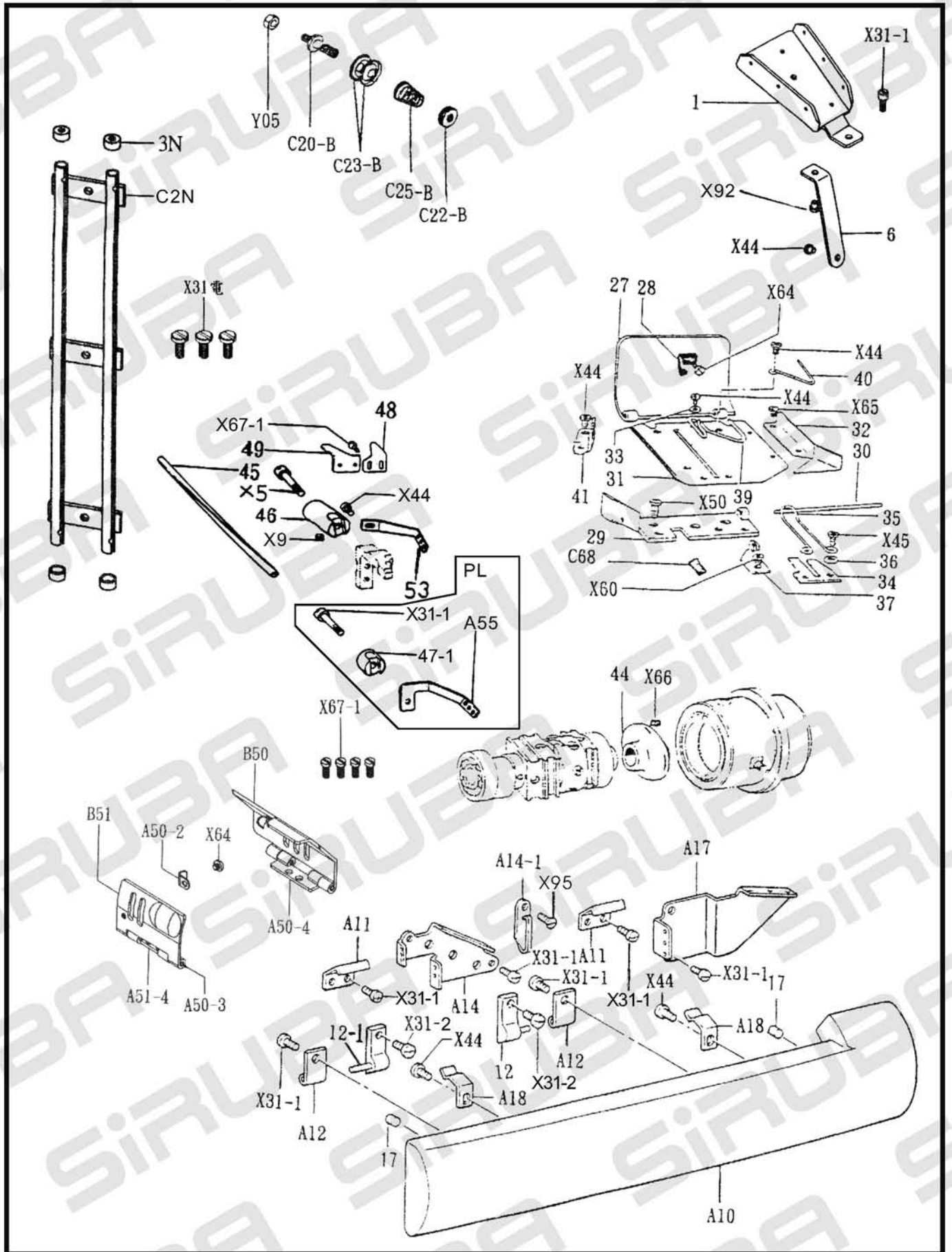
## LOOPER MECHANISM

REF. NO. 部件編號	NAME OF PARTS 說明	Amt req 需求量
C5-02	ECCENTRIC WHEEL SLEEVE 銅滑塊	1
C5-C3	LOOPER FEEDING FORK 滑動叉	1
C5-C4	LOOPER FEEDING SHAFT 滑動叉(軸)	1
C5-C5	LOPPER FEEDING SHAFT BRACKET 滑動叉基座	1
C5-06	PIN 插銷	1
C5-C7	LOOPER FRONT-REAR TRANSMISSION 前後驅動連桿	1
C5-C8	SLIDE BROCK SHAFT 固定軸牙	1
C5-09	LOOPER LEVER SHAFT 雙節固定軸	1
C5-10	PACKING 墊圈	1
C5-C11	CONNECTING ROD GUIDE PLATE 上下驅動連桿	1
C5-12	WASHER 墊圈	1
C5-C13	LOOPER SHAFT CLAMP 傳動軸夾	1
C5-A14	LOOPER SHAFT 傳動軸	1
C5-C15	LOOPER SHAFT BUSHING (F) 傳動軸套筒(後)	1
C5-16	LOOPER SHAFT BUSHING (B) 傳動軸套筒(前)	1
C5-17	SET COLLAR 定位夾	1
C5-C18	FORWARD ARM CONER ASSY 平面蓋板	1
C5-C19	PACKING 防油墊片	1
C5-20	OIL GAUGE 探油棒	1
C5-21	PACKING 橡膠墊圈	3
C5-22	CAP PLATE 下軸蓋	1
C5-23	PACKING 防油墊片	1
C5-25	"8"TYPE TRANSMISSION DEVICE 8字銅連桿	1
C5-C26	ECCENTRIC WITH SCREW 小D輪	1
C5-27	EYEPIECE H型連桿	1
C5-C28	STEEL BALL 萬向滾珠	1
C5-C29	LOOPER SLIDE BASE 連桿固定片	1
C5-C30	WASHER 波浪彈片	1
C5-C31	LOOPER FEEDING FORK 叉動柄	1
C5-32	--	1
C5-33	--	1
C5-702	SQUARE BALL 四方滑塊	1
C5-X9	SCREW 15/64x28 螺釘	2
C5-X28	SCREW 11/64x40 螺釘	1
C5-X28-1	SCREW 11/64x40 螺釘	1
C5-X31電	SCREW 11/64x40 螺釘	16
C5-X32	SCREW 11/64x40 螺釘	2
C5-X34	SCREW 3/16x32 螺釘	1
C5-X35	SCREW 3/32x56 螺釘	2
C5-X36-1	SCREW N3.5 L10 螺釘	4
C5-X37	SCREW 11/64x40 螺釘	1
C5-X38-1	SCREW 11/64x40 螺釘	2
C5-X42	SCREW 1/2x28 螺釘	3
C5-X50	SCREW 9/64x40 L5 螺釘	4
C5-X56	SCREW 15/64x28 螺釘	2
C5-Y01	NUT 15/64x28 螺母	1



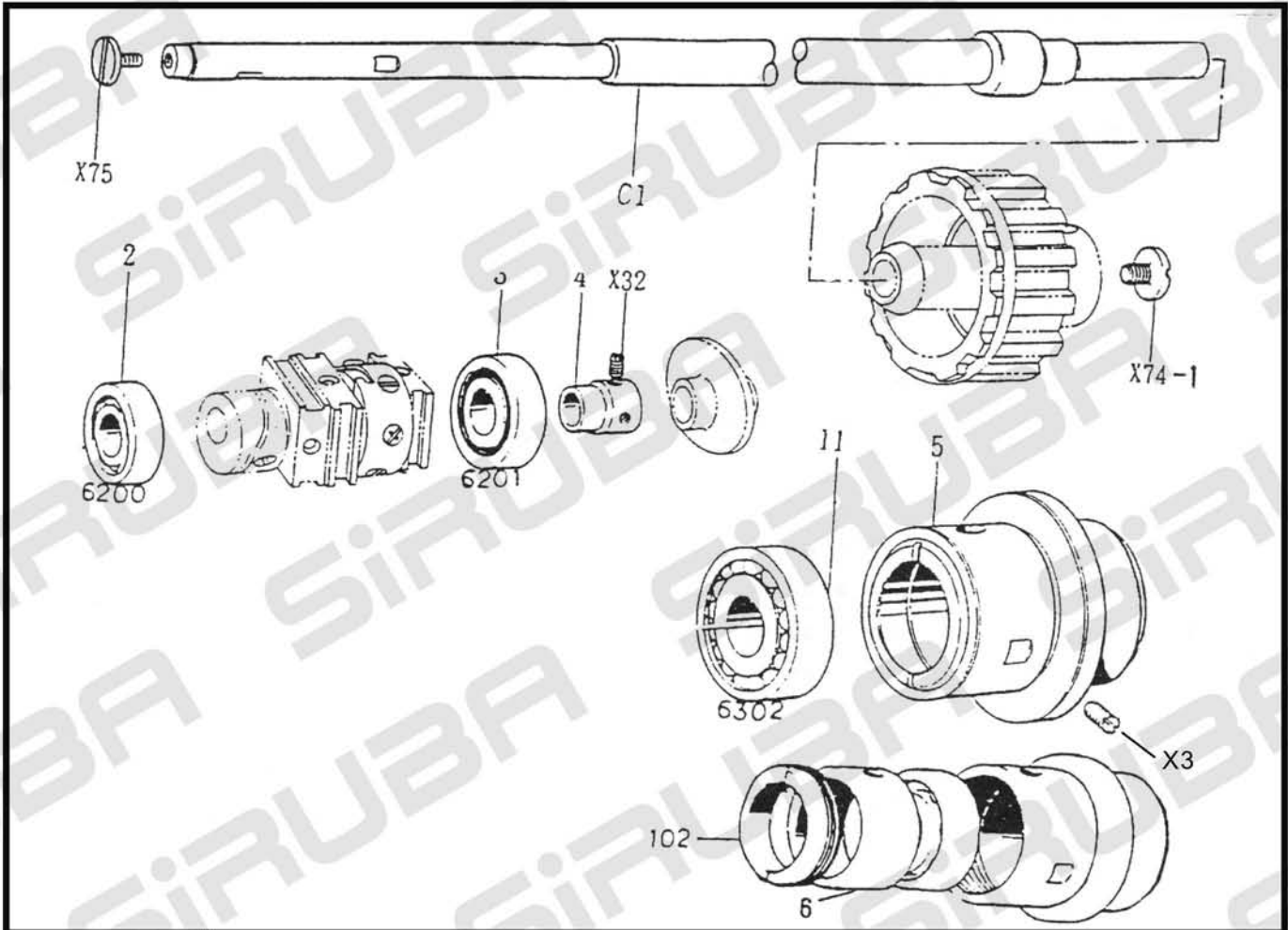




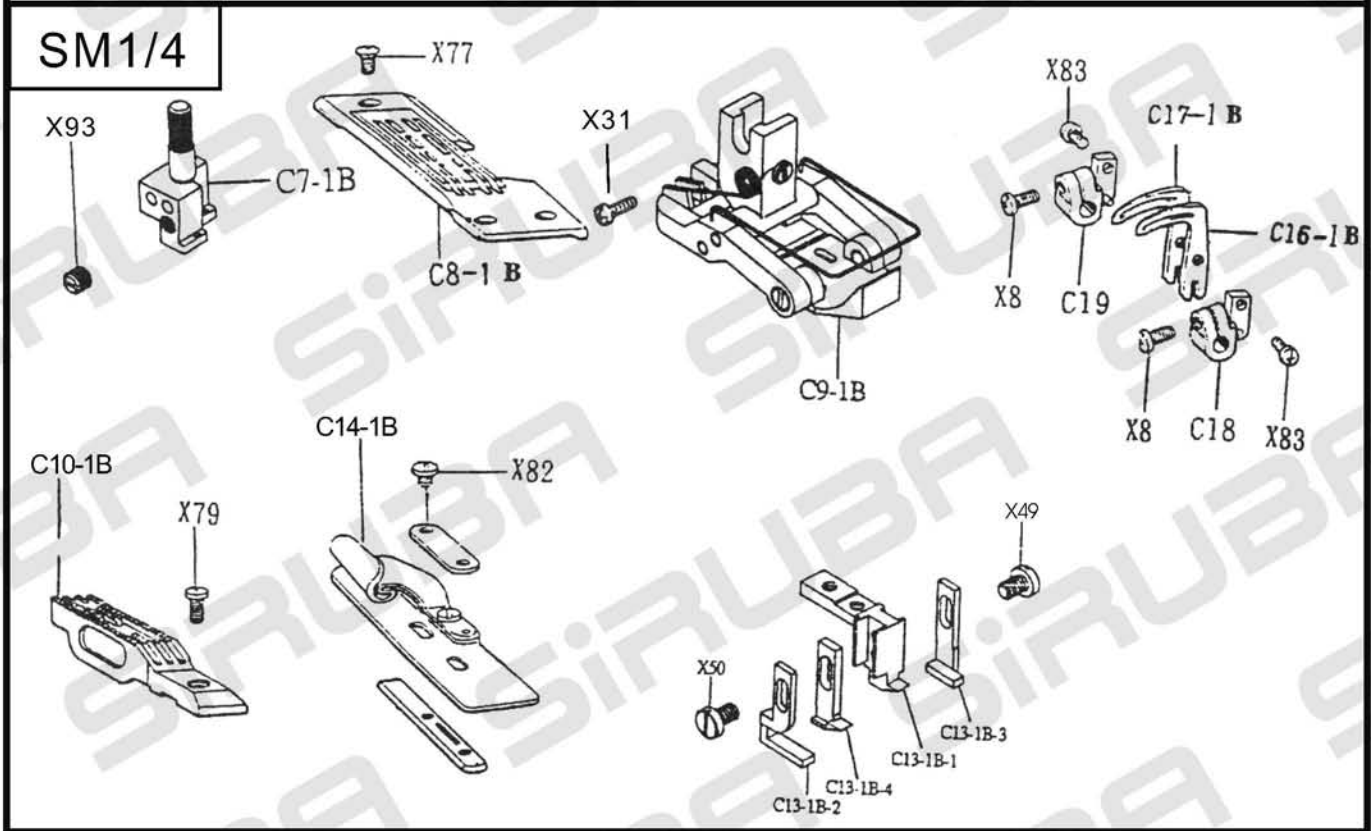


# LOWER THREADING MECHANISM

REF. NO. 零件編號	NAME OF PARTS 說明	Amt req 需求數量
C7-01	LOERT THREAD GUIDE RETAINER 導線架(上)	1
C7-C2N	THREE PIPE-LINE THREAD TUBE 過線管	1
C7-3N	THREAD TUBE CLAMP 導線圈	4
C7-06	LOWER THREAD GUIDE SUPPORTER 支架輔助	1
C7-12	LOWER THREAD GUIDE HINGE ASSEMBLY 活動鈕(上)	1
C7-12-1	LOWER THREAD GUIDE HINGE ASSEMBLY 活動鈕插銷	2
C7-17	LOWER THREAD COVER 橡膠墊	2
C7-A10	LOWER THREAD COVER 下前蓋	2
C7-A11	PLATE SPRING 彈片勾	2
C7-A12	FIXING PLATE 活動鈕(下)	1
C7-A14	LOWER THREAD TENSION BRACKET 三通過線片	2
C7-A14-1	THREAD GUIDE 穩線片	2
C7-A17	LOWER THREAD GUIDE RETAINER 過過線片	1
C7-A18	PLATE SPRING 彈片勾	1
C7-A55	LOWER THREAD GUIDE 過線片	1
C7-C20-B	THREAD TENSION ROD 沙拉螺柱	2
C7-C22-B	LOWER TEREAD TENSION NUT 沙拉螺母	1
C7-C23-B	LOWER TEREAD TENSION PLATE 沙拉片	2
C7-C25-B	LOWER TEREAD TENSION SPRING 沙拉彈簧	2
C7-27	THREAD TAKE-UP LEVER COVER 護線蓋	4
C7-28	SPRING 彈簧勾	2
C7-29	LOWER THREAD TAKE-UP LEVER FRAME 過線輔助架	1
C7-30	LOWER THREAD TAKE-UP LEVER COVER SHAFT 銷	1
C7-31	LOWER THREAD TAKE-UP LEVER BASE 過線支架	1
C7-32	GUIDE PLATE 過線輔助架	1
C7-33	WASHER 墊圈	1
C7-34	LOERT THREAD GUIDE PLATE 固定片	1
C7-35	SCREW 彈簧	2
C7-36	WASHER 墊圈	1
C7-37	LOWER THREAD GUIDE(LEFT) 彈片扣	1
C7-39	LOWER THREAD GUIDE(LEFTRIGHT) 導線勾	2
C7-40	LOWER THREAD GUIDE(LEFT) 導線勾	1
C7-41	LOWER THREAD GUIDE PLATE 固定片	1
C7-44	LOWER THREAD TAKE-UP DISC ASSEMBLY 配線口輪	1
C7-45	LOWER THREAD FEED TUBE 過線管	1
C7-46	LOOPER THREAD GUIDE RACKET 針受座	1
C7-47-1	LOOPER THREAD GUIDE BRACKET 針受座	1
C7-48	THREAD CUTTER GUIDE PLATE 切線刀	1
C7-49	THREAD CUTTER 切線刀	1
C7-53	LOOPER GUIDE 過線片	1
C7-A50-2	STOPPER SPRING PLATE 彈片勾	2
C7-A50-3	PIN 銷	4
C7-A50-4	FACE PLATE UPPER HINGE ASSEMBLY(R) 蝴蝶後扭(右)	1
C7-A51-4	FACE PLATE UPPER HINGE ASSEMBLY(L) 蝴蝶後扭(左)	1
C7-B50	LOOPER SIDE COVER (R) ASSY 彎針護蓋	1
C7-B51	LOOPER SIDE COVER (L) ASSY 彎針護蓋	1
C7-C68	PIN 銷	1
C7-X5	SCREW 9/64x40 螺釘	1
C7-X9	SCREW 15/64x28 螺釘	1
C7-X31	SCREW 11/64x40 螺釘	3
C7-X31-1	SCREW 11/64x40 螺釘	12
C7-X31-2	SCREW 9/64x40 L10 螺釘	2
C7-X44	SCREW 9/64x40 L5 螺釘	7
C7-X45	SCREW 9/64 螺釘	2
C7-X50	SCREW 9/64 螺釘	2
C7-X60	SCREW 9/64x40 L4 螺釘	1
C7-X64	SCREW 3/32x56 螺釘	3
C7-X65	SCREW 3/32x56 L4 螺釘	2
C7-X66	SCREW 1/4x40 螺釘	2
C7-X67-1	SCREW 3/32x56 螺釘	6
C7-X92	SCREW 9/64x40 螺釘	1
C7-X95	SCREW 9/64x40 螺釘	1
C7-Y05	NUT 9/64x40 螺母	2

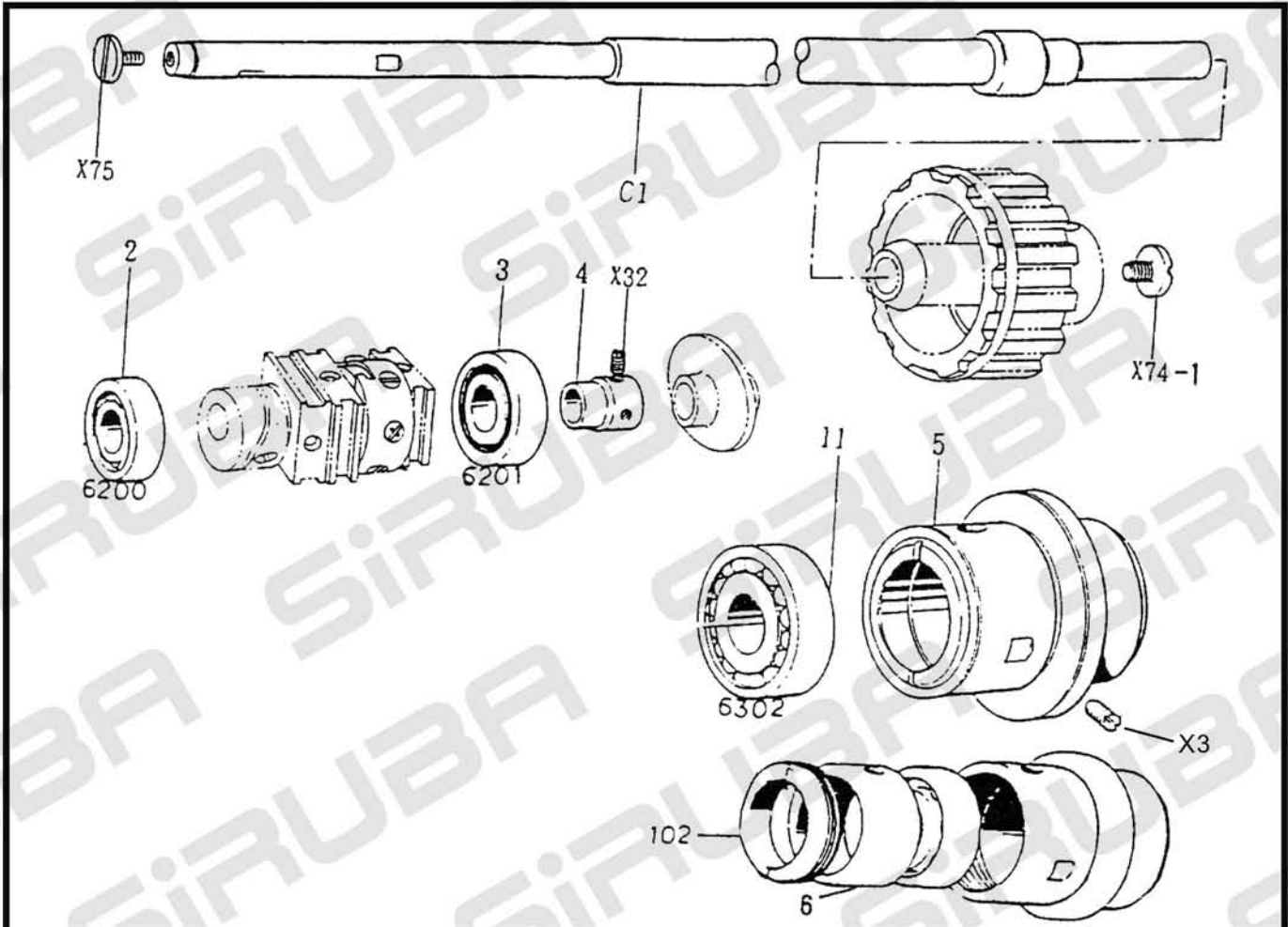


**SM1/4**

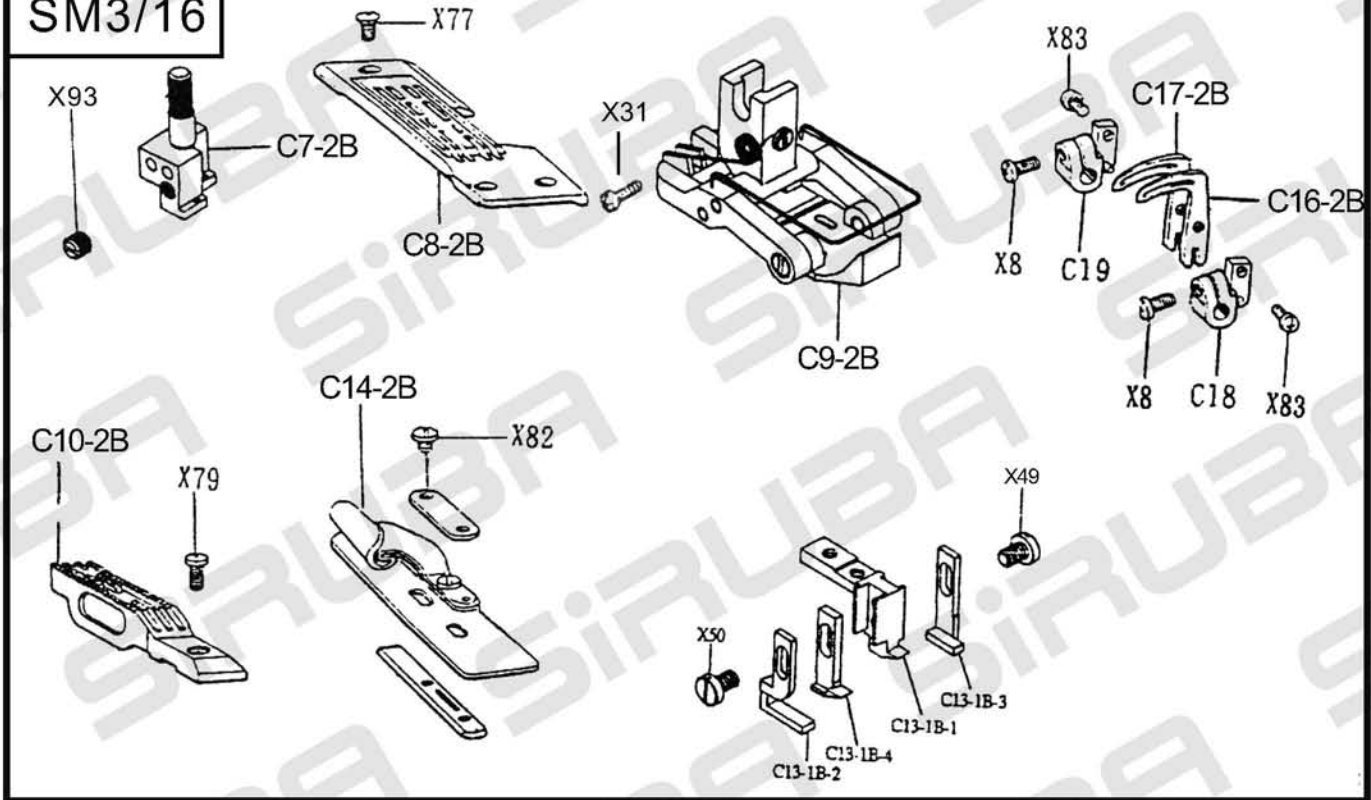








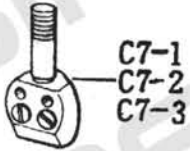
**SM3/16**



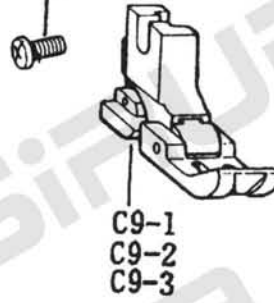


PL

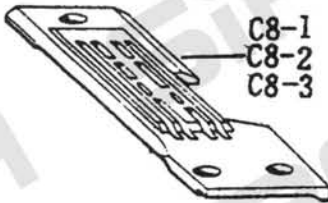
X32



X31



X77

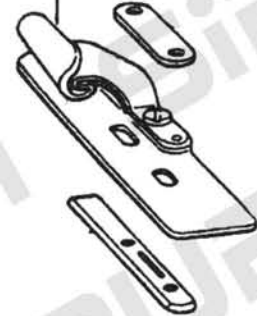


X79



C14-2B  
C14-3  
C14MH

X82



X83

C17-1  
C17-2  
C17-3

X8

C19

C16-1  
C16-2  
C16-3

X8

C18

X83





PL

